

4

3

2

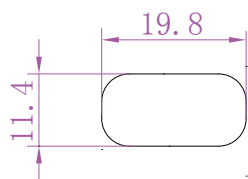
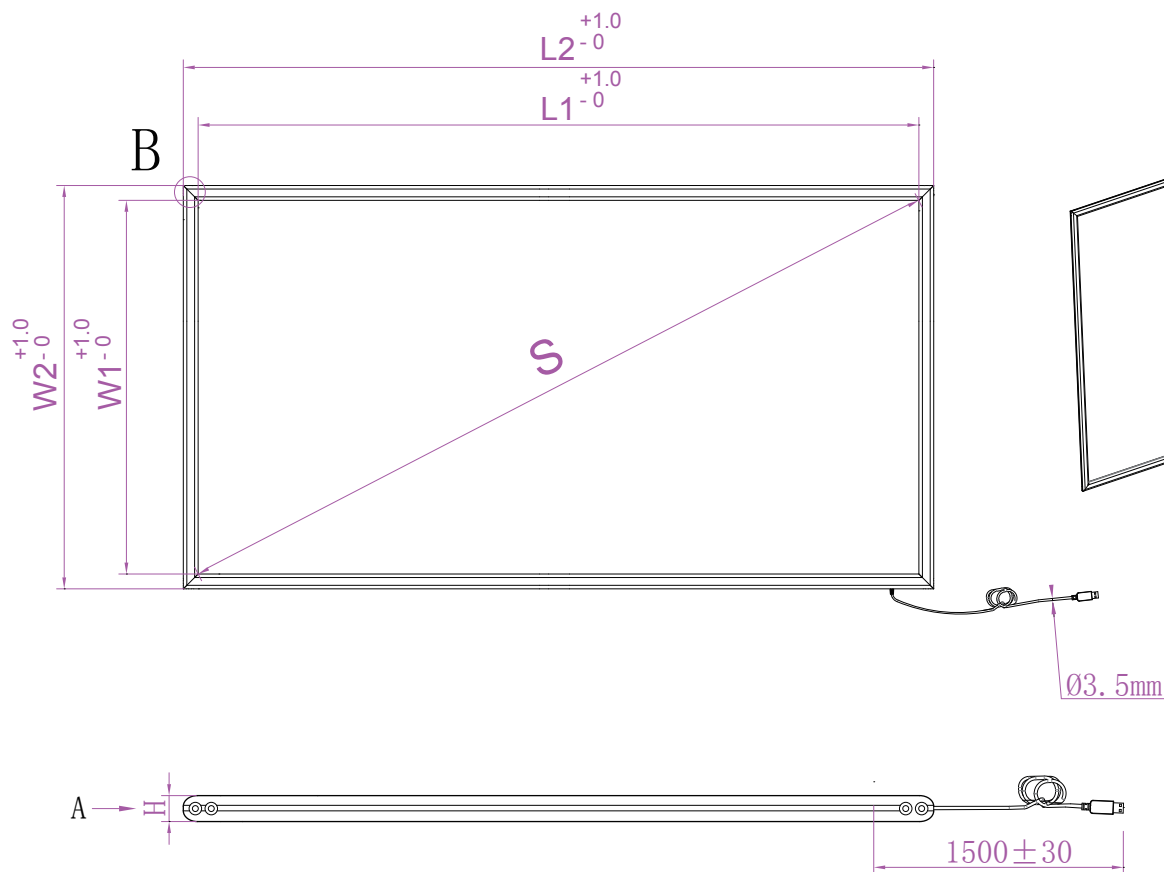
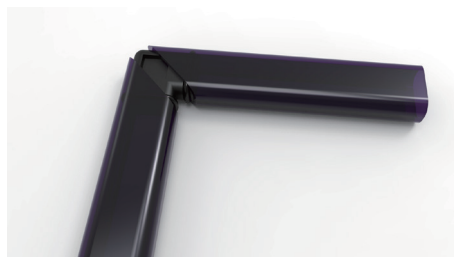
1

A

B

C

D



A

S(Inch/mm)	37.70"/957.50
W1	476(+1/-0)
W2	515.6(+1/-0)
L1	830(+1/-0)
L2	869.6(+1/-0)
H	11.4 ±0.2



Anti-Sunlight, No Blind Zone For Any Size



Material:	plastic	Unit:	mm	Date:		Rev:	1.0
Draft by:		Approved by:					

4

3

2

1